



KNF RC 900
ROTARY EVAPORATOR.
INSPIRINGLY
EASY TO USE.

KNF RC 900. BENEFIT FROM EXPERT KNOWLEDGE.

Under the spotlight at KNF: What aspects are really key to rotary evaporation in everyday lab practice? What is needed to guarantee simple, economical and reliable processes day in day out?

These are the questions we used as a guide in developing and implementing the new RC 900. We became involved in daily lab work. We asked lab technicians what they wished for, enlisted experts to perform tests and incorporated their suggestions.

The result was the RC 900: designed to impress thanks to its distinct handling advantages, clever functional details and well thought out safety features.

So why has KNF decided to introduce a rotary evaporator? For years we have offered the SC 920 vacuum pump system, a much sought-after laboratory device that works side by side with rotary evaporators. Simple handling, a small footprint and whisper quiet operation are the KNF strengths that set the SC 920 apart. Its success has encouraged us to broaden our systems approach to create a perfectly balanced package comprising a rotary evaporator, vacuum pump system and chiller.

Curious? Then discover the RC 900 and its advantages today!



The RC 900 rotary evaporator can be teamed with the SC 920 vacuum pump system and the C 900 chiller to create a precisely tuned system.



EVAPORATION MADE SIMPLE. CLEAR ADVANTAGES.

Designed for everyday use, and tailored to practical needs, the RC 900 makes rotary evaporation far simpler and safer. The high-performance system is impressive thanks to its intuitive handling and valuable functions that provide outstanding support for everyday lab work. Reliability, operational safety and precision come as standard with the RC 900. Safety features add to the advantages that make the system so suitable and indispensable for precise distillation. Moreover the RC 900 operates extremely quietly.

■ **Sleek design, minimum footprint**


The RC 900 takes up very little space and offers maximum ease of use.

■ **Whisper quiet for a pleasant working environment**

The lift and rotation of the RC 900 are virtually silent.

■ **Simple operation**

The system offers central remote control for all functions, and operation via touchscreen and control knob.



■ **Relevant parameters** for distillation and for the heating bath are **easily set via touchscreen and control knob**.

■ **Memory function** – simply press the memory button to save the flask's current immersion depth and rotation speed – easy and reliable.

■ Cordless heating bath with pour spout for **safe emptying without spilling**.

■ **Cooling condenser is simple to detach** and easy to clean.



red**dot** award 2014
winner

■ **Tube guide inside the tower** – tidy and safe.

■ **Uncomplicated flask exchange** – flask simply locks into place – using just one hand.

■ Convenient, **variable flask angle** set via an adjustable knob.



”

The RC 900 is a high-performance system that is easy to use. Its clever details and automated functions not only significantly ease everyday use, they also guarantee an efficient and safe operation.

Dr. Alexander Scherer, Chair of Organic Chemistry,
Friedrich-Alexander-Universität Erlangen-Nürnberg, Germany

KIP
LAB

RC 900



The remote control shows all relevant parameter settings in the primary operating level.



KNF RC 900. EASE OF USE, DESIGNED TO INSPIRE.

FLASK EXCHANGE | QUICK, EASY AND RELIABLE

Flasks can be exchanged quickly and easily:

- Push flask into retainer until the fastening clip is heard locking into place – that's all there is to it.
- To release, lift the fastening clip and remove the flask.
- Safety catch prevents the flask slipping accidentally during removal.
- The memory button on the remote control saves the current immersion depth and rotation speed, enabling the flasks to be changed quickly, easily and reliably during an iterative process.



FLASK ANGLE | FULLY ADJUSTABLE AND PRECISE

Different flask sizes require adjustable pivoting to ensure the flask is properly immersed in the water or oil bath.

- With the RC 900, the optimum position can be set with ease using a fully adjustable control knob.



COOLING CONDENSER | HIGH-PERFORMANCE AND EASY TO CLEAN

The cooling condenser performance is impressive thanks to its optimized coil design.

- Condensate collection is fast and efficient.
- Simply unscrew a clamping nut to detach the condenser for cleaning.
- Large opening of the condenser greatly facilitates cleaning.



The optional protective cover is hinged, making for easy flask accessibility.



KNF RC 900. INNOVATIVE SAFETY FEATURES.

PROTECTIVE COVER | COMPREHENSIVE SAFETY WHEN NEEDED

The safety guard completely covers the heating bath. It is therefore the accessory of choice when ultimate safety is required.

- Simply place it on the rim of the heating bath, tighten three locking screws, and the protective cover is fixed.

- Easy access to flask thanks to hinged designed.



HEATING BATH | SAFE FOR THE USER AND THE PROCESS

The cordless heating bath offers safety and ease of use.

- Vertical double wall for the safe transportation of filled heating baths without spillages.
- Pour spout for safe emptying.
- Light indicates heating bath operation.

- Mounted on the guide rail, the horizontal position of the heating bath can easily be adjusted to suit different flask sizes.
- Fill guide makes it easier to feed in the specific quantities of water or oil required for each flask size.



REMOTE CONTROL | CENTRAL AND SECURE

The remote control allows the RC 900 to be operated safely even from outside closed fume hoods.

- All functions including heating bath can be centrally controlled.

- Ergonomically advantageous placement for glare-free input of parameters.



KNF RC 900. TECHNICAL DATA AND ACCESSORIES.

TECHNICAL DATA

Heating bath

Heating bath temperature [°C]	20 – 180
-------------------------------	----------

Coolant supply parameters (chilled condenser)

Permissible pressure [psig]	44
Permissible temperature (°C)	-15 °C – +20
Coolant-coated surface [cm ²]	1230

Parameters of evaporation flask

Size of evaporation flask	50 – 3000 mL
Rotational speed of evaporation flask [1/min]	25 – 250
Length of stroke [mm]	150
Lifting speed [mm/s]	ca. 38

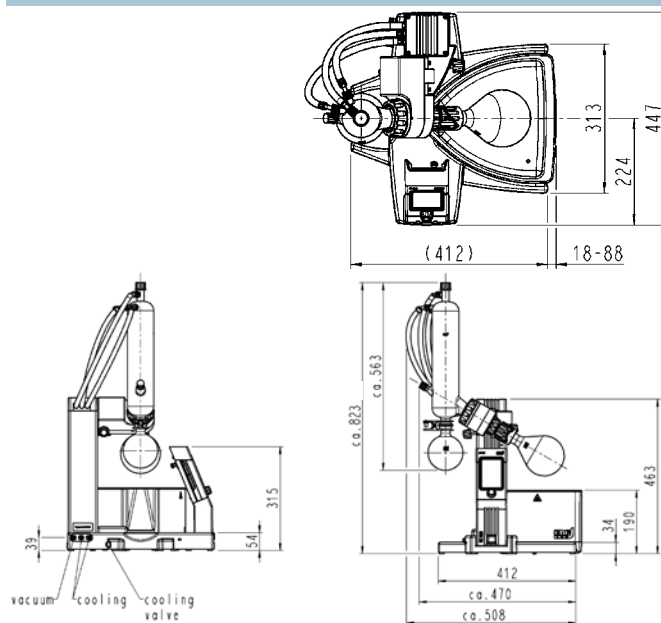
RC 900

Dimensions W x D x H [mm]:	
- without glass (footprint)	431 x 447 x 464
- with glass	487 x 447 x 823

Remote control unit

Wireless range	approx. 50 m without obstacles
----------------	--------------------------------

DIMENSIONS (mm)



ACCESSORIES

Description	ID
Protective cover for heating bath	127204
Refill valve	300639
Coolant valve	300853
Vacuum seal	113046

A detailed breakdown of the technical data is available at www.knfusa.com/RC900

RC 900, SC 920 AND C 900. SUCCESSFUL COMBINATION.

Joining forces to create a precisely balanced system, we present the RC 900 rotary evaporator combined with the SC 920 vacuum pump system and the C 900 chiller, which together form an efficient, economical system.



SC 920 VACUUM PUMP SYSTEM

- Flow rate 1.2 m³/h, end vacuum to 1.5 Torr.
- Automatic, precise recognition and control of boiling point.
- Pleasantly quiet operation.

C 900 CHILLER

- Operating temperature range -10 to +40 °C, cooling capacity 250 W.
- Compact design, small footprint.
- Splash-proof membrane keypad.
- Easy to fill.

KNF offers a wide range of high-quality pumps and systems for moving both liquids and gases. Whether they are used as built-in OEM pumps, in process applications or in laboratories, KNF products offer high performance, precision, and reliability. We offer all of our customers expert and personal advice. Contact us today to discuss how we can assist you with your next project!

The KNF production sites worldwide:



KNF Neuberger GmbH, Germany



KNF Micro AG, Switzerland



KNF Flodos AG, Switzerland



KNF Neuberger S.A., France



KNF Neuberger, Inc. USA

KNF. GLOBALLY ACTIVE.

Germany

KNF Neuberger GmbH
D-79112 Freiburg
Tel. +49 7664 5909 0
info@knflab.de
www.knflab.de

Benelux Netherlands

KNF Verder B.V.
NL-3451 GG Vleuten
Tel. +31 30 677 92 40
info@knf-verder.nl
www.knf-verder.nl

Benelux Belgium and Luxembourg

KNF Verder N.V.
B-2630 Aartselaar
Tel. +32 3 871 96 24
info@knf.be
www.knf.be

China

KNF Technology
(Shanghai) Co., Ltd.
Shanghai 201203
Tel. +86 21 6859 6566
info@knf.com.cn
www.knf.com.cn

France, Morocco, Tunisia, Algeria

KNF Neuberger S.A.
F-68128 Village-Neuf
Tel. +33 389 70 35 00
info@knf.fr
www.knf.fr

UK

KNF Neuberger U.K., Ltd.
Witney, Oxfordshire OX28 4FA
Tel. +44 1993 77 83 73
info@knf.co.uk
www.knf.co.uk

India

KNF Pumps + Systems (India) Pvt. Ltd.
Hinjewadi, Pune 411 057
Tel. +91 20 640 13 923
+91 20 640 08 923
info@knfpumps.in
www.knfpumps.in

Italy

KNF ITALIA S.r.l.
I-20132 Milano
Tel. +39 02 272 03 860
info@knf.it
www.knf.it

Japan

KNF Japan Co.Ltd.
Tokyo 104-0033
Tel. +81 3 3551 7931
info@knf.co.jp
www.knf.co.jp

Korea

KNF Neuberger Ltd.
130-090, Seoul
Tel. +82 2 959 0255
knf@knfkorea.com
www.knfkorea.com

Sweden, Finland, Denmark, Norway

KNF Neuberger AB
SE-10073 Stockholm
Tel. +46 8 744 51 13
info@knf.se
www.knf.se

Switzerland

Sales
KNF Neuberger AG
CH-8362 Balterswil
Tel. +41 71 973 99 30
knf@knf.ch
www.knf.ch

Switzerland

Production Liquid Pumps
KNF FLODOS AG
CH-6210 Sursee
Tel. +41 41 925 00 25
info@knf-flodos.ch
www.knf-flodos.ch

Switzerland

Production Micro Pumps
KNF Micro AG
CH-6260 Reiden
Tel. +41 62 787 88 88
info@knf-micro.ch
www.knf-micro.ch

Taiwan

KNF Neuberger Ltd.
Taipei City, 11490
Tel. +886 2 2794 1011
knftwn@knftwn.com.tw
www.knftwn.com.tw

USA, Canada, Latin America

KNF Neuberger, Inc.
Trenton, New Jersey 08691-1810
Tel. +1 609 890 8600
knfusa@knf.com
www.knfusa.com

Latin America

Tel. +1 609 649 1010
gb@knf.com

