

SONICA® 1200



Product Code: 090.003.0001 Serie: 1200 M

1,9 Litres

General characteristics

Ultrasonic Cleaning is a safe and efficient modern procedure, which ensures perfect cleaning within the shortest time possible. It has many advantages over ordinary cleaning methods.

Ultrasonics can remove even the most tenacious deposits from parts which would be difficult to reach by hand, it also reduces the risk of injury or infection which may occur during manual cleaning.

SONICA® 1200

1,9 Litres

REV. 0 10-2010

Technical Data

Technical specification subject to change.

Main line voltage	230/240 V~50/60Hz
Main input power/consumption	80 W
Main input power with heating	—
Peak HF ultrasound power	160 W
US frequency	40 khz ± 5%
Liquid drain	No
Transducers	1
Tank capacity	1,9
Weight (Kg)	2,2
Installation category	Class II according to EN 61010
Environmental conditions	Temperature Rel. Hum. 80% up to 31°C with linear decrease up to 50% at 40°C

Tank Dimensions

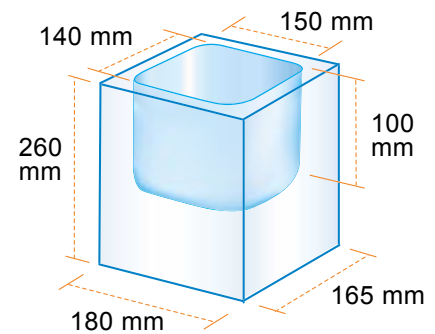
Length	150 mm
Breadth	140 mm
Depth	100 mm

External Dimensions

Length	180 mm
Breadth	165 mm
Height	260 mm

Constructive Materials

Housing	Steel AISI 304
Tank	Steel AISI 304



Notes for use as "Medical Devices":

Denomination: Ultrasonic Cleaning Device
UMDNS-nomenclature (ECRI) 14-263

Field of application: cleaning and disinfection of surgical and dental instruments

Classification (Medical Devices Directive 93/42/EEC, appendix IX):
Class I, Non Active MD, Non Invasive MD, Non Implantable MD

CE EMC 89/336/CEE (EN 55011B)
LV 73/23/CEE (EN 61010-1)
MD 93/42/CEE Medical Devices

Available series

M



Serie M The simplest version in the SONICA range is equipped with a timer which can be set for to 15 minutes. It can also be set to manual operation.

Sweep System generator.